

---

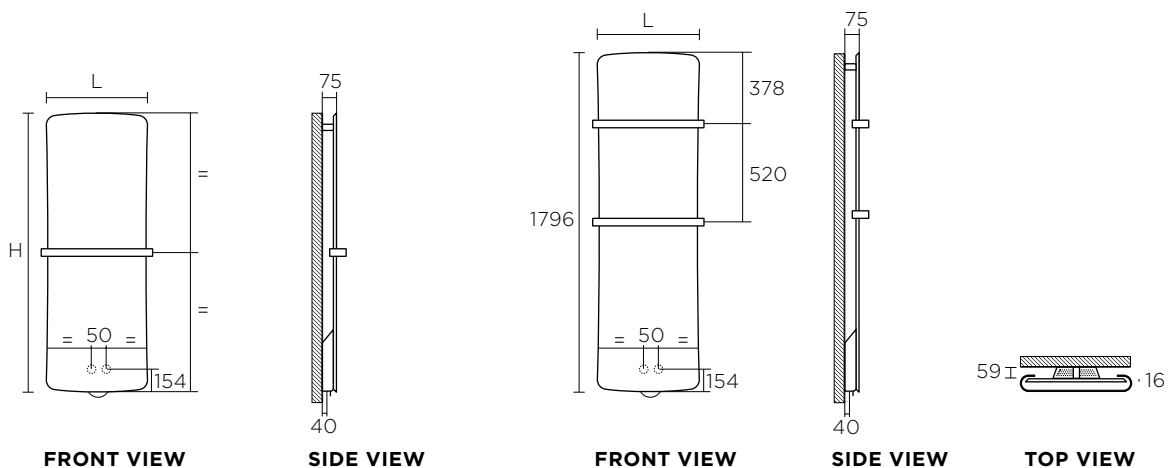
# RUNTAL FOLIO

TECHNICAL FACTSHEET

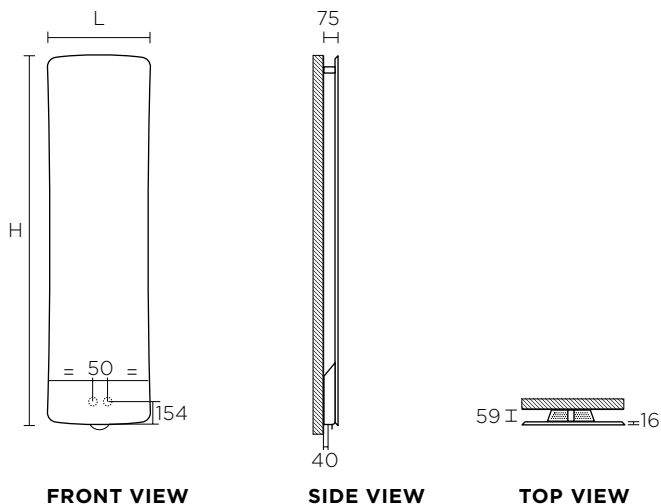


# RUNTAL FOLIO TECHNICAL SPECIFICATIONS

## CENTRAL HEATING VERSION - FOLIO BELT - MODEL FBK WITH TOWEL BAR

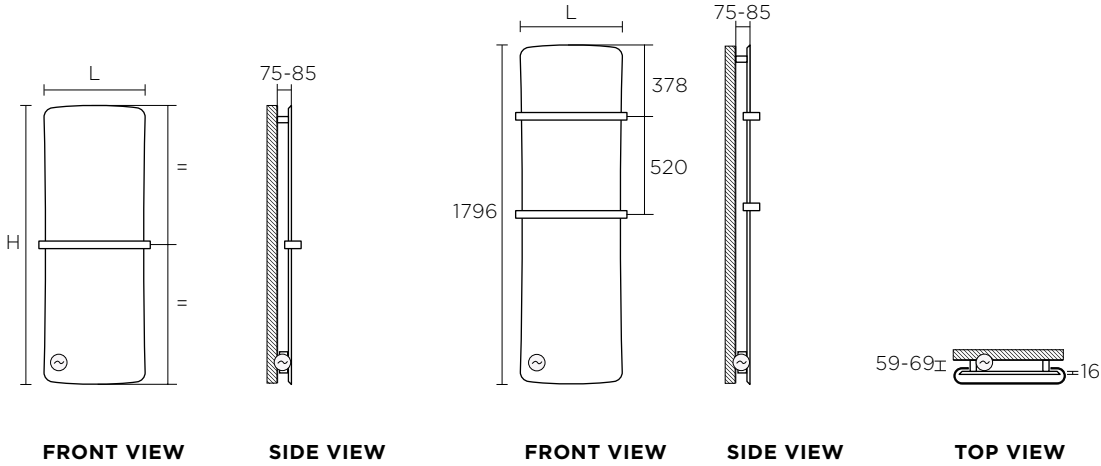


## CENTRAL HEATING VERSION - FOLIO - MODEL FVK WITHOUT TOWEL BAR

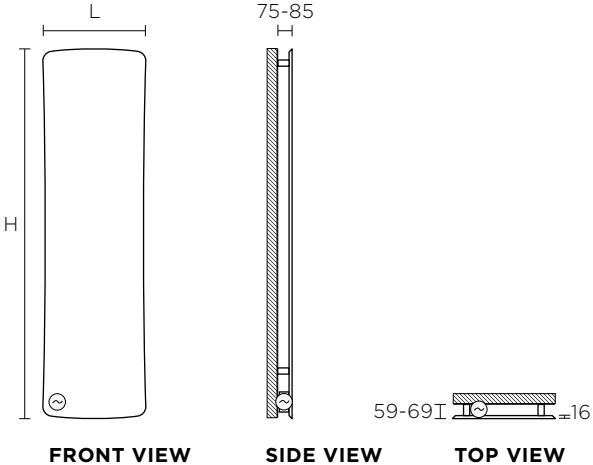


- H Height (mm)
- L Width (mm)
- ⊙ Exit of tubes from wall for valve connection with standard connections

**ELECTRIC ONLY VERSION - FOLIO BELT - MODEL FBE AND FBES WITH TOWEL BAR**



**ELECTRIC ONLY VERSION - FOLIO - MODEL FVE AND FVES WITHOUT TOWEL BAR**



H Height (mm)  
 L Width (mm)  
 ⊙ Electric box

# RUNTAL FOLIO

## CENTRAL HEATING VERSION - FOLIO BELT - MODEL FBK WITH TOWEL BAR

Height 1156 mm	Width mm	V dm <sup>3</sup>	M kg	n	P ΔT 50K Watt	Surface (Code)
FBK-120-042	430	0.5	8.7	1.197	399	White RAL9016 (0603)
FBK-120-042	430	0.5	8.7	1.197	399	Anodised aluminium
FBK-120-042	430	0.5	8.7	1.197	399	Wood veneer
FBK-120-052	530	0.6	10.5	1.199	485	White RAL9016 (0603)
FBK-120-052	530	0.6	10.5	1.199	485	Anodised aluminium
FBK-120-052	530	0.6	10.5	1.199	485	Wood veneer

Height 1476 mm	Width mm	V dm <sup>3</sup>	M kg	n	P ΔT 50K Watt	Surface (Code)
FBK-150-042	435	0.6	11.0	1.198	504	White RAL9016 (0603)
FBK-150-042	435	0.6	11.0	1.198	504	Anodised aluminium
FBK-150-042	435	0.6	11.0	1.198	504	Wood veneer
FBK-150-052	535	0.7	12.7	1.198	611	White RAL9016 (0603)
FBK-150-052	535	0.7	12.7	1.198	611	Anodised aluminium
FBK-150-052	535	0.7	12.7	1.198	611	Wood veneer
FBK-150-062	635	0.8	14.5	1.199	718	White RAL9016 (0603)
FBK-150-062	635	0.8	14.5	1.199	718	Anodised aluminium
FBK-150-062	635	0.8	14.5	1.199	718	Wood veneer

Height 1796 mm	Width mm	V dm <sup>3</sup>	M kg	n	P ΔT 50K Watt	Surface (Code)
FBK-180-042	441	0.6	13.5	1.195	614	White RAL9016 (0603)
FBK-180-042	441	0.6	13.5	1.195	614	Anodised aluminium
FBK-180-042	441	0.6	13.5	1.195	614	Wood veneer
FBK-180-052	540	0.8	15.0	1.203	762	White RAL9016 (0603)
FBK-180-052	540	0.8	15.0	1.203	762	Anodised aluminium
FBK-180-052	540	0.8	15.0	1.203	762	Wood veneer
FBK-180-062	640	1.0	16.5	1.212	912	White RAL9016 (0603)
FBK-180-062	640	1.0	16.5	1.212	912	Anodised aluminium
FBK-180-062	640	1.0	16.5	1.212	912	Wood veneer
FBK-180-072	740	1.2	18.0	1.220	1,064	White RAL9016 (0603)
FBK-180-072	740	1.2	18.0	1.220	1,064	Anodised aluminium
FBK-180-072	740	1.2	18.0	1.220	1,064	Wood veneer

V: volume, M: weight, n: exponent, P ΔT 50K: EN 442 output

**CENTRAL HEATING VERSION - FOLIO - MODEL FVK WITHOUT TOWEL BAR**

<b>Height 1796 mm</b>	<b>Width mm</b>	<b>V dm<sup>3</sup></b>	<b>M kg</b>	<b>n</b>	<b>P ΔT 50K Watt</b>	<b>Surface (Code)</b>
FVK-180-042	441	0.6	11.7	1.195	614	White RAL9016 (0603)
FVK-180-042	441	0.6	11.7	1.195	614	Anodised aluminium
FVK-180-042	441	0.6	11.7	1.195	614	Wood veneer
FVK-180-052	540	0.8	12.8	1.203	762	White RAL9016 (0603)
FVK-180-052	540	0.8	12.8	1.203	762	Anodised aluminium
FVK-180-052	540	0.8	12.8	1.203	762	Wood veneer
FVK-180-062	640	1.0	14.1	1.212	912	White RAL9016 (0603)
FVK-180-062	640	1.0	14.1	1.212	912	Anodised aluminium
FVK-180-062	640	1.0	14.1	1.212	912	Wood veneer
FVK-180-072	740	1.2	15.4	1.220	1,064	White RAL9016 (0603)
FVK-180-072	740	1.2	15.4	1.220	1,064	Anodised aluminium
FVK-180-072	740	1.2	15.4	1.220	1,064	Wood veneer

<b>Height 1956 mm</b>	<b>Width mm</b>	<b>V dm<sup>3</sup></b>	<b>M kg</b>	<b>n</b>	<b>P ΔT 50K Watt</b>	<b>Surface (Code)</b>
FVK-200-042	445	0.6	12.1	1.184	651	White RAL9016 (0603)
FVK-200-042	445	0.6	12.1	1.184	651	Anodised aluminium
FVK-200-042	445	0.6	12.1	1.184	651	Wood veneer
FVK-200-052	545	0.8	14.3	1.192	807	White RAL9016 (0603)
FVK-200-052	545	0.8	14.3	1.192	807	Anodised aluminium
FVK-200-052	545	0.8	14.3	1.192	807	Wood veneer
FVK-200-062	644	1.0	16.7	1.201	964	White RAL9016 (0603)
FVK-200-062	644	1.0	16.7	1.201	964	Anodised aluminium
FVK-200-062	644	1.0	16.7	1.201	964	Wood veneer
FVK-200-072	744	1.3	19.1	1.210	1,123	White RAL9016 (0603)
FVK-200-072	744	1.3	19.1	1.210	1,123	Anodised aluminium
FVK-200-072	744	1.3	19.1	1.210	1,123	Wood veneer

V: volume, M: weight, n: exponent, PΔT 50K: EN 442 output

**Example of coding for order of product**

<b>FBK</b>	<b>180</b>	<b>052</b>	<b>9501</b>	<b>copper pipe 14</b>
model of radiator	height	width	colour code of finish	material and dimension for compression fittings

**ELECTRIC ONLY VERSION - FOLIO BELT - MODEL FBE AND FBES WITH TOWEL BAR**

<b>Height 1156 mm</b>	<b>Width mm</b>	<b>M kg</b>	<b>EP Watt</b>	<b>Surface (Code)</b>
FBE-120-042	430	6.2	350	White RAL9016 (0603)
FBES-120-042	430	6.2	350	Anodised aluminium
FBES-120-042	430	6.2	350	Wood veneer

<b>Height 1476 mm</b>	<b>Width mm</b>	<b>M kg</b>	<b>EP Watt</b>	<b>Surface (Code)</b>
FBE-150-042	435	8.5	500	White RAL9016 (0603)
FBES-150-042	435	8.5	350	Anodised aluminium
FBES-150-042	435	8.5	350	Wood veneer

<b>Height 1796 mm</b>	<b>Width mm</b>	<b>M kg</b>	<b>EP Watt</b>	<b>Surface (Code)</b>
FBE-180-042	441	11,0	500	White RAL9016 (0603)
FBES-180-042	441	11,0	350	Anodised aluminium
FBES-180-042	441	11,0	350	Wood veneer
FBE-180-052	540	12,5	750	White RAL9016 (0603)
FBES-180-052	540	12,5	500	Anodised aluminium
FBES-180-052	540	12,5	500	Wood veneer
FBE-180-072	740	15,5	1.000	White RAL9016 (0603)
FBES-180-072	740	15,5	750	Anodised aluminium
FBES-180-072	740	15,5	750	Wood veneer

**ELECTRIC ONLY VERSION - FOLIO - MODEL FVE AND FVES WITHOUT TOWEL BAR**

<b>Height 1796 mm</b>	<b>Width mm</b>	<b>M kg</b>	<b>EP Watt</b>	<b>Surface (Code)</b>
FVE-180-042	441	11.0	500	White RAL9016 (0603)
FVES-180-042	441	11.0	350	Anodised aluminium
FVES-180-042	441	11.0	350	Wood veneer
FVE-180-052	540	12.5	750	White RAL9016 (0603)
FVES-180-052	540	12.5	500	Anodised aluminium
FVES-180-052	540	12.5	500	Wood veneer
FVE-180-072	740	15.5	1,000	White RAL9016 (0603)
FVES-180-072	740	15.5	750	Anodised aluminium
FVES-180-072	740	15.5	750	Wood veneer

M: weight, EP: electric power

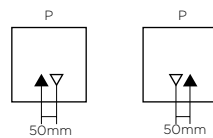
**FINISHES**

<b>Powder-coated finish</b>	<b>Code</b>
White (RAL 9016)	0603
Classic and Trendy	See Runtal colour chart
Metal Look	See Runtal colour chart
White Quartz	0521
<b>Anodised aluminium finish</b>	<b>Code</b>
Natural	9501
Black	9505
<b>Wood veneer finish</b>	<b>Code</b>
Wenge	9601
Oak	9603
Macassar	9604

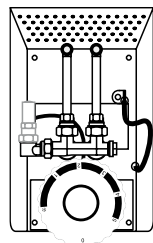
**TECHNICAL DATA**

Materials	Cover in aluminium, powder-coated standard in white RAL9016 (0603), available in all colour as per RUNTAL colour chart and anodised aluminium/wood veneer as per finishes listed. Rear (in aluminium), connection box and wall brackets painted in colour of radiator, black mat for wood veneer finishes and anodised aluminium, laterals in composite black mat slant to 45°
Central heating version	Core with copper Ø 12 mm heating register embedded in a honeycomb structure made from aluminium which is enclosed by expanded natural graphite
Operating pressure	Max. 6 bar
Test pressure	7.8 bar
Operating temperature	Max. 80 °C
Standard kit	Wall brackets and assembly kit included in packaging
Connections	Standard with connection and valve integrated in the connection box at rear Kit including: - connection box covering valves and connections - angled valve with integrated lockshield, 50 mm pipe centres, thermostatic head with preinstalled control element for regulation underneath - flexible tubes for connection on valve and on connections of radiator - movable fixing for easy mounting and service access <b>- Please indicate at order one type of compression fittings 3/4" EUROCONUS to be included in packaging:</b> - copper pipe Ø 12 mm - copper pipe Ø 14 mm - copper pipe Ø 15 mm - multilayer pipe Ø 14 x 2 mm - multilayer pipe Ø 16 x 2 mm - plastic pipe PER Ø 12 x 1.1 mm

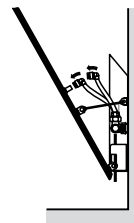
Flow ▲ / return ▼ , air vent (E) Ø ½" at back side



Flow, return at choice left- or right-hand side.



FRONT VIEW  
connection box

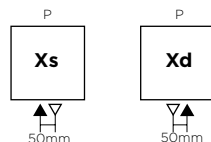


SIDE VIEW  
box and radiator

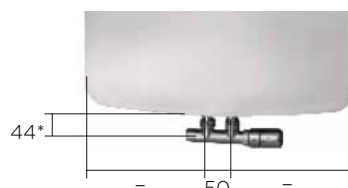


FRONT VIEW  
control element for regulation

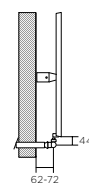
Connections on request, 2 connections Ø ½", centric 50 mm pipe centres, vertical entry underneath, Flow ▲ / return ▼, air vent (E) Ø ½" at rear



Centric 50 mm pipe centre connection:  
flow, return at choice left- or right-hand side.  
Model specification **FOLIO BELT : FB-...-...** (without the K letter)  
**FOLIO : FV-...-...** (without the K letter)



FRONT VIEW



SIDE VIEW

\* Size with runtal radval and runtal radval xs valve. This dimension varies according to the valve selected

NB: The connection must be made in accordance with the required specifications

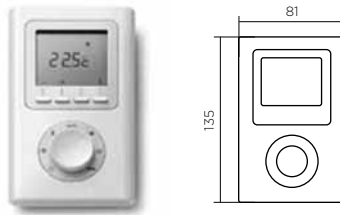


Valves

As per ACCESSORIES price list

Electric version

Core with heating cord embedded in a honeycomb structure made from aluminium which is enclosed by expanded natural graphite



Control unit radio remote-controlled

Mains voltage: 230 V, 50 Hz

Mains connection: 1.1 m cable (white) with CEE 7/17 plug

Degree of protection: Class II (IP44)

Functions:

- Daily and weekly program
- Room temperature control
- Operating modes: frost protection, economy program, comfort, automatic, manual, off
- Wall-mounted or free-standing

Electric connection

The electrical connection must be performed by an electrician in accordance with applicable regulations

Towel bar

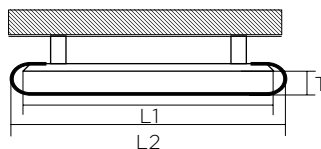
for FOLIO BELT models FBK, FB, FBE and FBES



One or two towel bars depending of model (as table below), chrome-plated, dimension 40 x 4 mm, to be mounted at predefined height/position, included in delivery/packaging

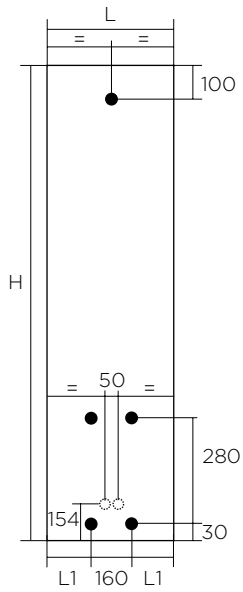
Model	nr. of bars	L1 mm	L2 mm	T mm
FBK-120-042/ FBE-120-042/ FBES-120-042	1	430	490	46
FBK-120-052	1	530	590	48
FBK-150-042/ FBE-150-042/ FBES-150-042	1	435	490	46
FBK-150-052	1	535	590	48
FBK-150-062	1	635	690	50
FBK-180-042	2	441	490	46
FBK-180-052/ FBE-180-052/ FBES-180-052	2	540	590	48
FBK-180-062	2	640	690	50
FBK-180-072/ FBE-180-072/ FBES-180-072	2	740	790	52

L1: length of radiator, L2: length of towel bar, T: depth



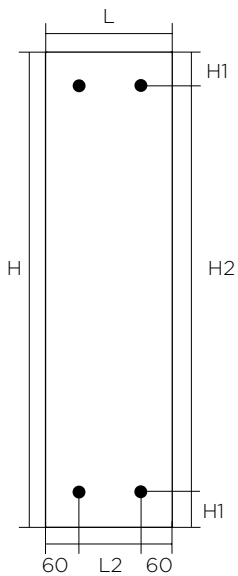
# RUNTAL FOLIO MOUNTING INSTRUCTIONS

## CENTRAL HEATING VERSION - FOLIO BELT MODEL FBK AND FOLIO MODEL FVK WITH STANDARD CONNECTION



Model	H mm	L mm	L1 mm	H1 mm
FBK-120-042	1156	430	135.0	746
FBK-120-052	1156	530	185.0	746
FBK-150-042	1476	435	137.5	1066
FBK-150-052	1476	535	187.5	1066
FBK-150-062	1476	635	237.5	1066
FBK-180-042/ FVK-180-042	1796	441	140.5	1386
FBK-180-052/ FVK-180-052	1796	540	190.0	1386
FBK-180-062/ FVK-180-062	1796	640	240.0	1386
FBK-180-072/ FVK-180-072	1796	740	290.0	1386
FVK-200-042	1956	445	142.5	1546
FVK-200-052	1956	545	192.5	1546
FVK-200-062	1956	644	242.0	1546
FVK-200-072	1956	744	292.0	1546

## CENTRAL HEATING VERSION - FOLIO BELT MODEL FB AND FOLIO MODEL FV WITH CONNECTIONS 253/453 ON REQUEST



Model	H mm	L mm	H1 mm	H2 mm	L2 mm
FB-120-042	1156	430	67	1022	310
FB-120-052	1156	530	72	1012	410
FB-150-042	1476	435	67.5	1341	315
FB-150-052	1476	535	72.5	1331	415
FB-150-062	1476	635	79	1318	515
FB-180-042/ FV-180-042	1796	441	67.5	1661	321
FB-180-052/ FV-180-052	1796	540	73	1650	420
FB-180-062/ FV-180-062	1796	640	79.5	1637	520
FB-180-072/ FV-180-072	1796	740	87	1622	620
FV-200-042	1956	445	68	1820	325
FV-200-052	1956	545	73	1810	425
FV-200-062	1956	644	79.5	1797	524
FV-200-072	1956	744	87.5	1781	624

H Height (mm)

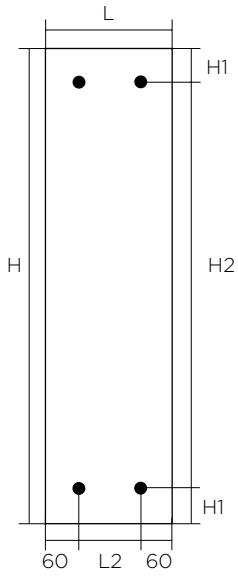
L Width (mm)

● Fixing point

○ Exit of tubes from wall for valve connection with standard connections

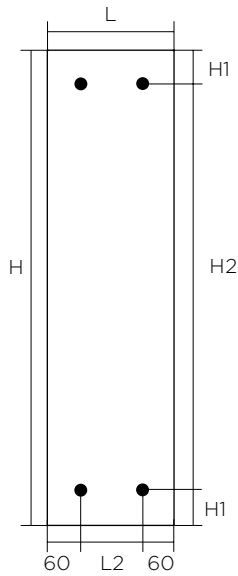
For correct radiator installation, please note the corresponding installation instructions

**ELECTRIC ONLY VERSION - FOLIO BELT - MODELS FBE AND FBES**



Model	H mm	L mm	H1 mm	H2 mm	L2 mm
FBE-120-042/ FBES-120-042	1156	430	67	1022	310
FBE-150-042/ FBES-150-042	1476	435	67.5	1341	315
FBE-180-042/ FBES-180-042	1796	441	67.5	1661	321
FBE-180-052/ FBES-180-052	1796	540	73	1650	420
FBE-180-072/ FBES-180-072	1796	740	87	1622	620

**ELECTRIC ONLY VERSION - FOLIO - MODEL FVE AND FVES**



Model	H mm	L mm	H1 mm	H2 mm	L2 mm
FVE-180-042/ FVES-180-042	1796	441	67.5	1661	321
FVE-180-052/ FVES-180-052	1796	540	73	1650	420
FVE-180-072/ FVES-180-072	1796	740	87	1622	620

- H Height (mm)
- L Width (mm)
- Fixing point

For correct radiator installation, please note the corresponding installation instructions

**ZEHNDER GROUP INTERNATIONAL SALES**

Zehnder Group Deutschland GmbH  
Almweg 34, D-77933 Lahr  
T +49 7821 586-392, F +49 7821 586-406  
International.sales@zehndergroup.com  
www.runtal.com

A member company of the Zehnder Group.

